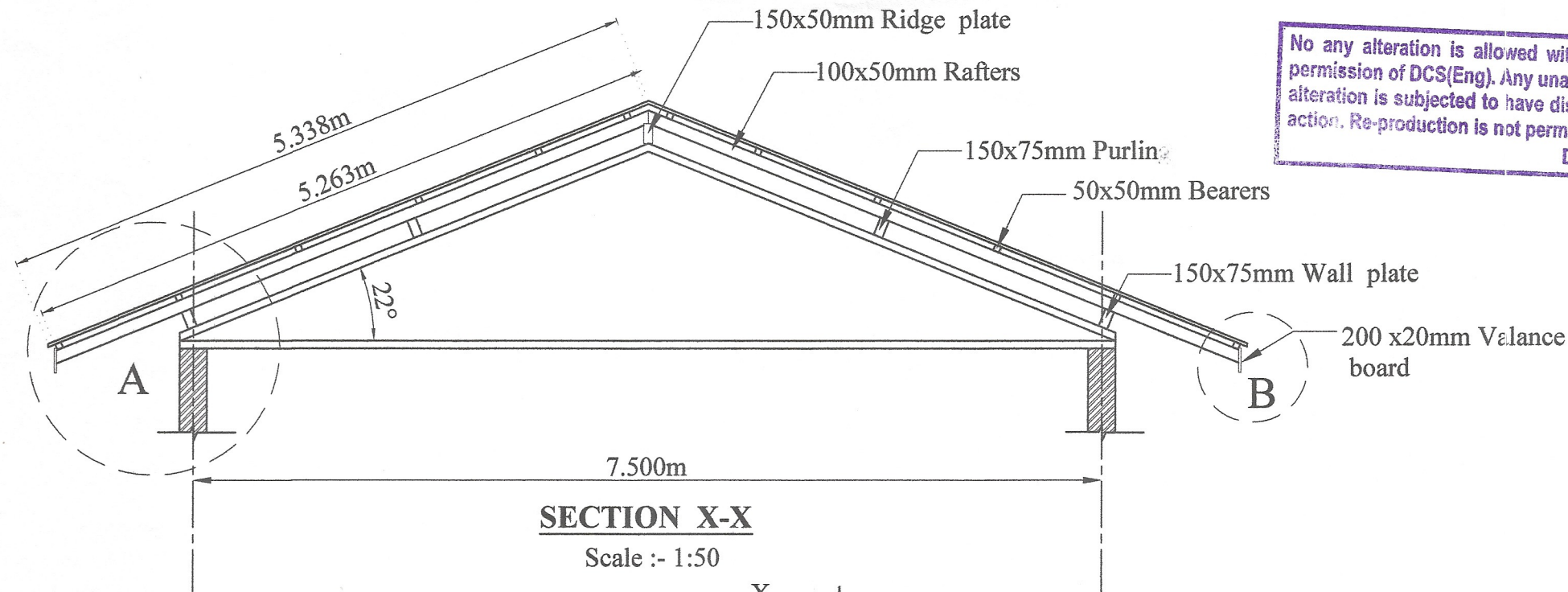
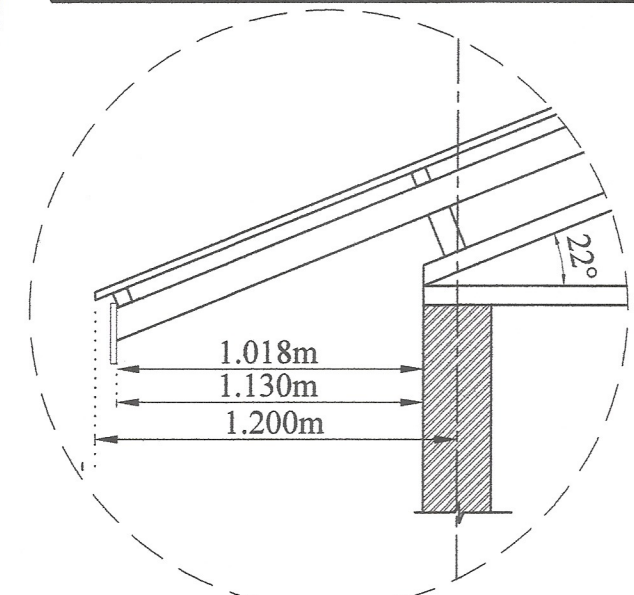


No any alteration is allowed without due permission of DCS(Eng). Any unauthorized alteration is subjected to have disciplinary action. Re-production is not permitted.
DCS(Eng)

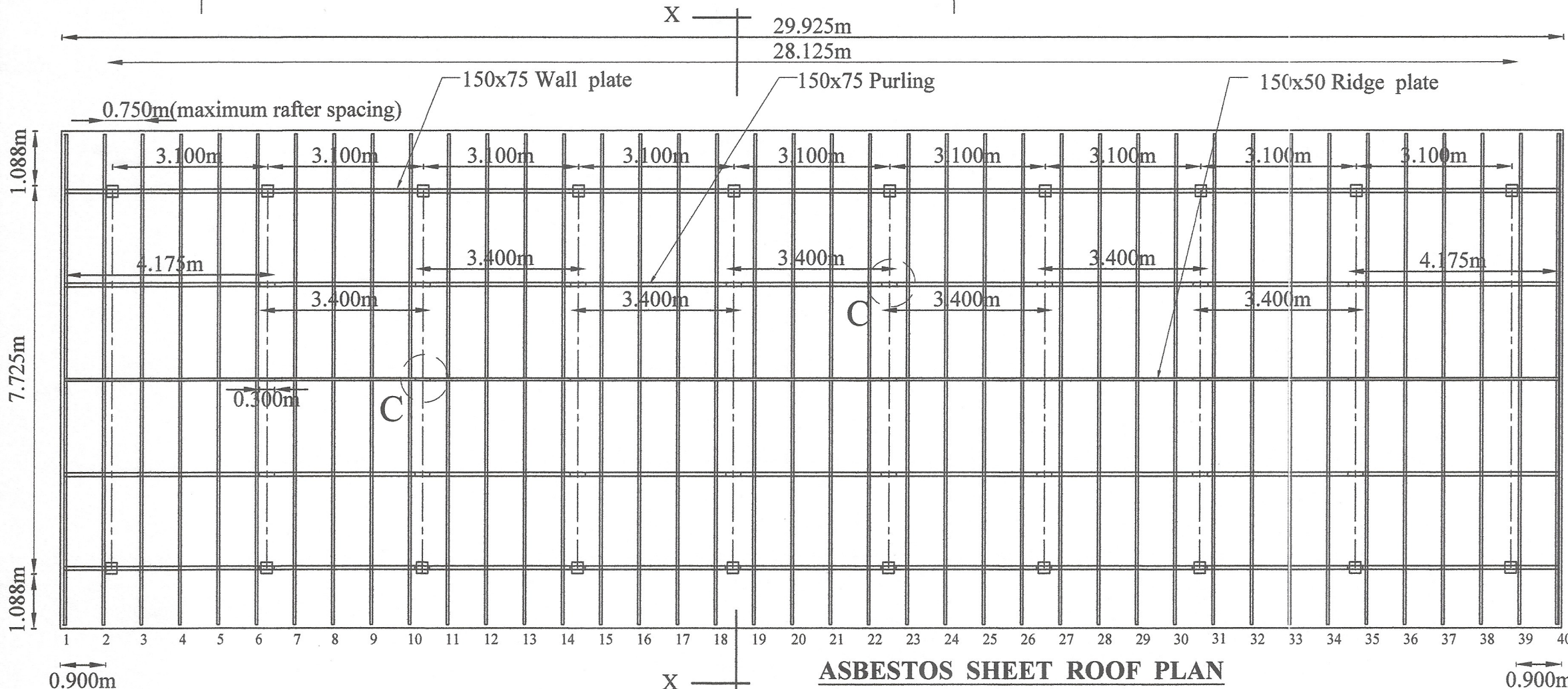


SECTION X-X
Scale :- 1:50



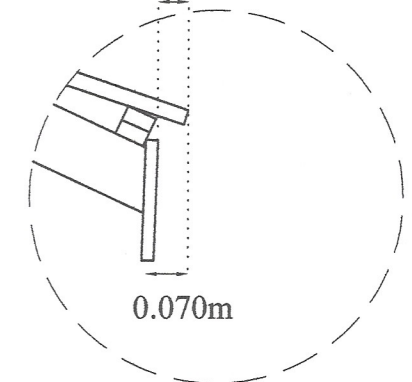
DETAIL AT "A"

Scale :- 1:20
0.050m



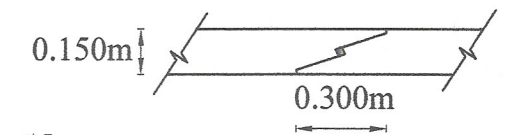
ASBESTOS SHEET ROOF PLAN

Scale :- 1:100



DETAIL AT "B"

Scale :- 1:10



DETAIL AT "C"

Scale :- 1:20

DETAILS OF ABOVE SINGLE STORIED BUILDING
CORRUGATED ASBESTOS SHEET ROOF
(27m x7.5m)
(90'- 0 x 25'- 0)

All right reserved this work or any part of there of may not be reproduced without written permission of the Engineering Services Office of southern Provincial council.

Sheet No : 01
Drawing No : SPES/Rate23/Ro-11a
Scale : 1:100, 1:50, 1:20, 1:10
Date : 2023-09-07
Drawn By : *[Signature]*
(Kumari Gebriel)

Checked By : *[Signature]*
(S.P.Wethasinghe)
D.O.A. : *[Signature]*
(G.N.R.Ekanayake)
Technical Officer : *[Signature]*
(L.W.Hemantika)
Design Engineer : *[Signature]*
(Eng. N.M.S.Manasinghe)
Director (Engineer) : *[Signature]*
(Eng. C.B.Abbayadara)

DETAILED DRAWING
(RATE ANALYSIS)

ENGINEERING SERVICES OFFICE.
SOUTHERN PROVINCIAL COUNCIL, GALLE.
Tel- 09122-42786 / 09122-42785 / 09122-48181 / 09122-33125 / 09122-48282 / 09026380745
FAX- 09122-42786 / 09122-42785 / 09122-48181 / 09122-33125 E-mail- engserv@spc.gov.lk