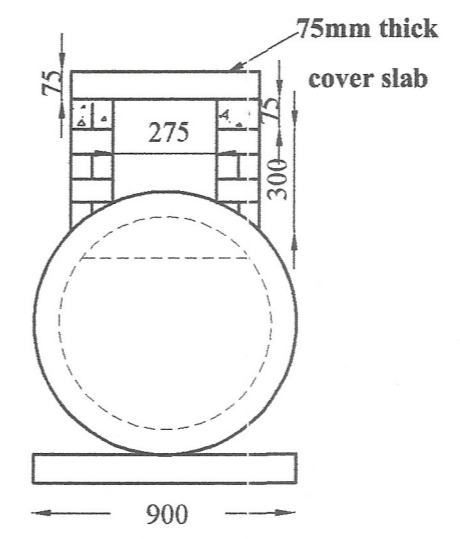
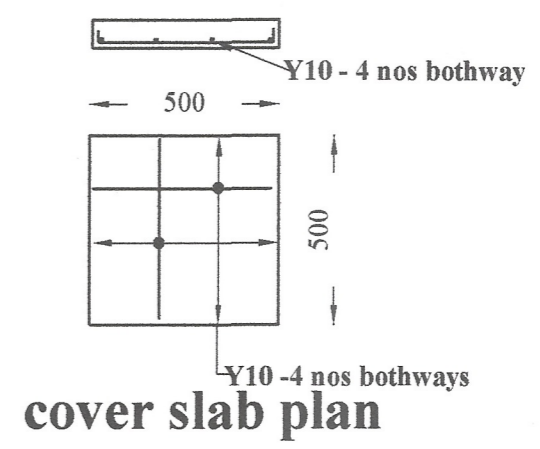


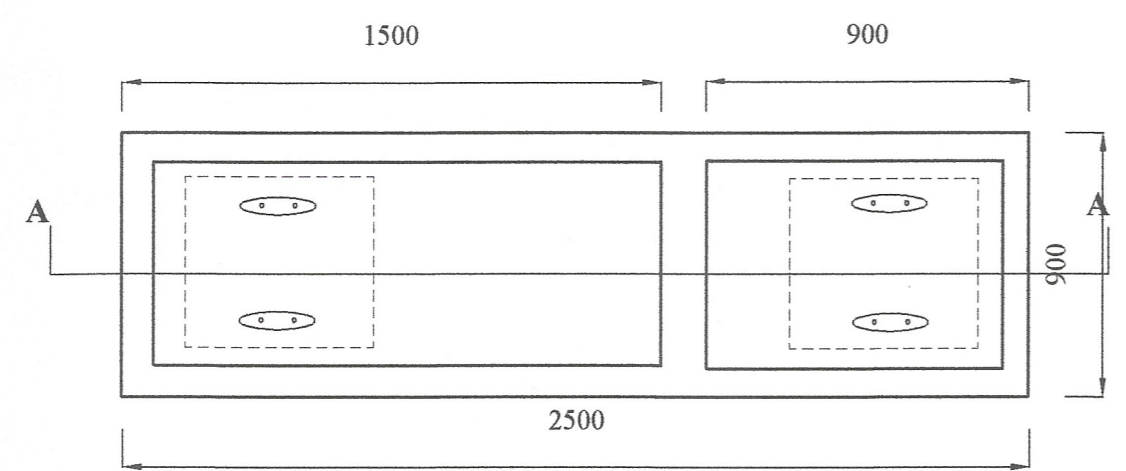
A-A sectional elevation



section X-X



cover slab plan



PLAN

No any alteration is allowed without due permission of DCS(Eng). Any unauthorized alteration is subjected to have disciplinary action. Re-production is not permitted.
DCS(Eng)

TYPE PLAN OF BUFFALO TANK

All right reserved this work or any part of there of may not be reproduced without written permission of the Engineering Services office of southern Provincial council.

Sheet No : 04	Checked By : <i>S. Jayaraj</i> (S.P. Weerasinghe)
Drawing No : SPES/rate23/BK19	D.O.A. : <i>C.P. Doshi</i> (G.N.R. Ekamayake)
Scale : 1 - 20	Engineer Asistant : <i>K.S.</i> (H.K.S. Premathilaka)
Date : 2023-06-08	Design Engineer : <i>N. Wajira</i> (Eng. N.M.S. Munsasinghe)
Drawn By : indika	Director (Engineer) : <i>C.B.</i> (Eng. C.B. Abeyaratne)

DETAILED DRAWING
(RATE ANALYSIS)

ENGINEERING SERVICES OFFICE.
SOUTHERN PROVINCIAL COUNCIL, GALLE.

Tel: 09122-42786 / 09122-42785 / 09122-48181 / 09122-33125 / 09122-48282 / 09122-330745
FAX: 09122-42788 / 09122-42789 / 09122-48181 / 09122-33125 E-mail: engserv@spc.gov.lk